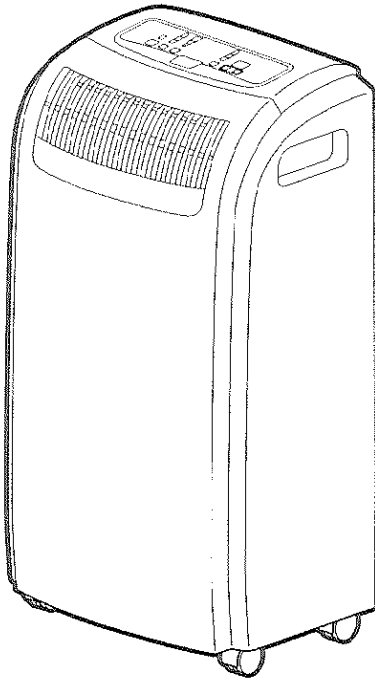


TÖYÖTÖMI



TAD-30F



PORTABLE AIR CONDITIONER

**ACONDICIONADOR DE AIRE
PORTATIL**

**CONDITIONNEUR D'AIR
DEPLACABLE**

**INSTRUCTION MANUAL
MANUAL DE INSTRUCCIONES
MODE D'EMPLOI**

**ENGLISH
ESPAÑOL
FRANCAIS**

**P. 1
P. 5
P. 9**

SUMMARY

The idea behind the unit is to provide a localized supply of cool air.

The unit will greatly enhance your personal comfort whether at a work station or even in your favorite chair.

Four (4) casters enable you to move the unit easily from room to room. It cools and dries the air at the same time so that you can stay comfortable even when it's humid or rainy outside. Also your furnishings and fabrics are kept in good condition when it's used as dehumidifier.

Conventional air conditioners use large quantities of energy to cool an entire room, including walls and furniture. This unit creates a zone of cool and dry air only where it is needed. It does not waste energy cooling the surroundings.

It's easy to operate. Once you set the desired function, all functions will be memorized in the unit. The built-in timer allows from 1 to 12 hours operation, after which the unit is automatically turned on and off. This is especially convenient at bedtime.

Venting is not required. However, if the unit is to be used exclusively in one space, the cooling efficiency will be enhanced by using the venting kit accessory.

OPERATIONAL FEATURES

1. COOLING OPERATION:

Normally, cool air is directed out the front louvers by the circulation fan which has three (3) stages of fan speed.

2. AUTOMATIC OPERATION:

Once the desired function has been set, it is memorized as long as it remains connected to the wall outlet. In the event of a power failure, the desired function must be re-entered when power is restored.

3. THERMO CONTROL

The compressor will automatically shift to ON or OFF to maintain the desired temperature.

4. TIMER OPERATION:

The unit will turn on and off after the designated period of time (1, 2, 3, ...12 hours).

5. AUTOMATIC SHUT-OFF MECHANISM WHEN DRAIN TANK IS FULL:

When the drain tank is full, the unit will be automatically shut off. It is always required to press power button twice to resume operation after the condensed water is removed from the tank.

6. TRIPLE AIR FILTERS:

A pre-filter protects the unit from dust, HAF air filter cleans circulation air and a charcoal filter eliminates unpleasant odor.

1. DESCRIPTION

Fig. A FRONT

- A1 Air outlet
- A2 Vertical louver
- A3 Front panel
- A4 Operation panel
- A5 Carrying handle
- A6 Horizontal louver
- A7 Caster

Fig. B REAR

- B1 HAF air filter
- B2 Air intake (Evaporator)
- B3 Exhaust outlet
- B4 Air intake (Condenser)
- B5 Power supply cord
- B6 Power plug
- B7 Drain water outlet
- B8 Air intake grille (Pre-filter)

Fig. C OPERATION PANEL

- C1 Power button
- C2 Mode button
- C3 Fan speed button
- C4 Timer button
- C5 Adjust buttons
- C6 Tank full lamp

- C7 Cool mode lamp
- C8 Dry mode lamp
- C9 Fan mode lamp
- C10 Room temp lamp
- C11 Set temp lamp
- C12 Timer set lamp
- C13 Digital indicator
- C14 Signal receptor
- C15 C/F toggle button (Remote control)

Fig. I EXHAUST DUCT SET

- I1 Exhaust duct hose connector
- I2 Exhaust duct hose adapter nozzle
- I3 Exhaust duct hose

Fig. J WINDOW PANEL KIT

- J1 Window panel
- J2 Window panel extension
- J3 Exhaust duct hose grille
- J4 Cover
- J5 Screws

2. SAFETY TIPS

IMPORTANT

- Read instructions carefully before operation.
- The unit should be operated when the room temperature is between 64°F (18°C) to 95°F (35°C). If the room temperature is below 64°F (18°C), ice may form on the coils. If the room temperature is above 95°F (35°C), the compressor will automatically shut off to protect itself.
- ALWAYS, wait 3 min. to restart after turning unit off.

⚠ WARNING

- NEVER expose infants, handicapped persons, or senior persons directly to the airflow. Adjust the airflow direction.
- Keep children away from unit. Children are particularly liable to this danger. The fan is running at high speed inside. Covering them may deteriorate air conditioner performance or cause it to become inoperative.
- NEVER insert objects of any kind into the air intake or air outlet.
- DO NOT unplug if your hands are wet. An electrical shock may occur.
- DO NOT operate in a wet location.
- ALWAYS plug into 115 V, 60 Hz, single phase electrical outlet.
- Be sure plug fits receptacle securely.
- DO NOT run power cord under carpets, rugs, or floor mats of any kind.
- DO NOT attempt to shorten or alter power cord in any way.
- DO NOT apply any excessive force or pressure to the power supply cord.
- Make sure that the plug is free of dust.
- DO NOT use an extension cord.
- DO NOT turn on and off by inserting or removing the plug which may cause electric shock or fire.
- If there is a fear of lightning, stop the unit and disconnect the power supply cord.
- DO NOT touch the evaporator, condenser and pipes.
- DO NOT operate with filter removed.

⚠ CAUTION

- Keep unit more than 20 in. (50 cm) away from any objects or wall. (Fig. D)
- If the unit is operated in COOL mode in an area of very high moisture, the top plate and the rear plate may get covered with a mist. Wipe off any mist before it has a chance to get on the floor or rug.
- Remove drain water before moving unit.
- To minimize corrosion, DO NOT use in damp, salty air area.
- DO NOT operate in direct sunlight.
- DO NOT use for such particular purpose as preservation of foodstuff, animals, plants, precision appliances, arts and medicine.
- DO NOT place an animal, plants or combustion equipment in a place which is subjected to the direct air blow of the unit.
- DO NOT ride or place the objects on the unit.
- DO NOT turn the unit on its side or upside down.

3. OPERATION

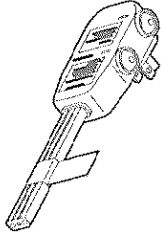
BEFORE OPERATION:

INSTALLING FILTERS

▲ CAUTION

- Be sure to assemble the filters before using the unit.
- 1. Pull the air intake grill (B8) toward you and remove it.
- 2. Take the HAF filter and the charcoal filter out of the bag.
- 3. Mount the charcoal filter and then install the HAF filter properly.

LCDI (Leakage Current Detection and Interruption) PLUG



TEST: WHEN CURRENT LEAKING OR PRESSING TEST BUTTON, THE INDICATOR LIGHT WILL TURN OFF AND THE UNIT WILL CUT OUT.

RESET: AFTER SOLVING THE PROBLEM PLEASE PRESS RESET BUTTON.

OPERATING STEPS:

1. **PRESS "POWER" BUTTON (C1) TO "ON".**
Cool mode lamp (C7) and Low lamp are lit at this time and unit starts.
2. **PRESS MODE BUTTON (C2).**
Press the mode button (C2) to set your desired operation mode "COOL" (C7), "DRY" (C8) or "FAN" (C9).
COOL mode (C7)
During the "COOL" mode the air is cooled and hot air is exhausted to the outside air through the exhaust duct hose.
DRY mode (C8)
Air is dehumidified as it passes through the unit, without being in full cool mode.
In "DRY" mode operation, you cannot change the fan speed.
FAN mode (C9)
The "FAN" mode provides only circulation of room air, so that you cannot set the room temperature.
3. **PRESS TIMER/TEMPERATURE ADJUST BUTTONS (C5)**
Set the desired room temperature by pressing UP button "Λ" or DOWN button "V". The default display is room temperature.
When "Λ" or "V" button is pressed, the set temperature is displayed and may be adjusted. After 15 seconds the display will revert back to room temperature.
By pressing both buttons at once, the display will toggle between Celsius and Fahrenheit. When using the remote control, press the C/F toggle button (C15).
4. **PRESS FAN SPEED BUTTON (C3)**
Press the fan speed button (C3) to set the desired air flow rate.
High Operation at a high air flow
Med Operation at a medium air flow
Low Operation at a low air flow
5. **AIR DEFLECTION**
The vertical louvers (A2) and the horizontal louvers (A6) may be set on right and left and/or up and down manually in desired direction. (Fig. E)
6. **STOP OPERATION**
Press the Power button (C1) and all lights will go out.

TIMER OPERATION

Auto turning OFF:

With unit in cool mode, press Timer button (C4) to select number of hours you would like the unit to run in cool mode until it automatically shuts off.

Auto turning ON:

With unit powered off, press Timer button (C4) to select number of hours until you would like the unit to automatically start.

USING REMOTE CONTROL

The functions work the same as your air conditioner's operation panel. (Fig. C)

Batteries: Remove the cover on the back of the remote control and insert the batteries with the (+) and (-) poles pointing in the proper direction. (Fig. H)

▲ CAUTION

- Use only AAA or IEC R03 1.5V batteries.
- DO NOT attempt to recharge the supplied batteries.
- All batteries should be replaced at the same time.
- DO NOT dispose of the batteries in a fire as they may explode.
- DO NOT install the batteries with the polarity (+/-) reversed.
- Keep batteries and other things that could be swallowed away from young children. Contact a doctor immediately if an object is swallowed.

4. DRAINING EXCESS WATER (Fig. F)

1. Drain excess water from the tank by placing a pan under the drain water outlet. (Fig. B7)
2. Remove the drain plug, and let the water drain into the pan.
3. When the water stops draining out, replace the drain plug.
4. Remove the pan of water.
5. Operate the unit in Fan mode to dry the interior of the unit.
NOTE: Remove the drain water from the tank once a week.

5. CLEANING

CLEANING AIR INTAKE GRILLE (Fig. G)

1. Clean the air intake grille (B3) once every two weeks.
2. To remove the air intake grille (B8), pull the grille off.
3. Remove the dust with a vacuum cleaner.

▲ WARNING

- DO NOT touch the evaporator. It may cause injury or damage.

▲ CAUTION

- DO NOT rinse the charcoal filter with water.

CLEANING SURFACE

Clean the outside of the unit with a soft damp cloth.

▲ CAUTION

- NEVER use gasoline, solvents, chemical products or polish as they could damage the surfaces.

6. LONG-TERM STORAGE

At the end of each season, or when you do not plan to use your unit for an extended period of time, the following procedures are recommended.

1. Run the unit 5 or 6 hours with only the "FAN" (C8) mode operating in order to dry the inside.
2. Remove the drain water from the tank and unplug the unit.
3. Clean the unit.
Wipe off any dirt or dust on the unit with a soft damp cloth or a vacuum cleaner, and then wipe again using a soft dry cloth.
4. Clean the air intake grill (B8) and replace it.
5. Store the unit.
The original shipping carton is the best place to store your unit. If you do not have the original packing materials, cover the unit with a large plastic bag and store in a cool dry place.

▲ CAUTION

- ALWAYS store the unit in the vertical position.
- DO NOT put heavy objects on top of the unit.

7. TRANSPORTATION

Preferably keep the unit in the vertical position during transportation. If this is not possible then lay it on its rear side, when at destination put the unit back in the vertical position and wait at least ten (10) minutes before using it. Before transporting/moving the unit make sure the drain tank is empty.

OPTIONAL ACCESSORIES

When you need a longer size window panel, please purchase the extension window panel "B" and use it with the original window panel "A".

Part # 22740286 EXTENSION WINDOW PANEL "B" (M)
31-1/2" (80 cm)



Part # 22740288 EXTENSION WINDOW PANEL "B" (L)
56" (142 cm)

**LIMITED WARRANTY**

TOYOTOMI CO., LTD. ("TOYOTOMI") warrants each products and any parts thereof sold by it to be free from defects in materials or workmanship under normal use and service for TWELVE (12) MONTHS from the date of delivery to the original purchaser at retail subject to the following terms and conditions :

WHAT IS COVERED : Product or any parts thereof which are defective in materials or workmanship.

WHAT IS NOT COVERED :

This warranty does not extend to any defect due to the negligence of others; failure to install, operate or maintain unit in accordance with instructions (operating and maintenance instructions are furnished with each new unit); unreasonable use, accidents, alteration, use of unauthorized or non-standardized TOYOTOMI parts and accessories; electrical malfunction, i.e., as resulting from large power surges, short circuit, etc.; incorrect installation; or repair by anyone other than a service facility specified by TOYOTOMI.

WHO IS COVERED : The ordinal purchaser at retail.

WHAT WE WILL DO : TOYOTOMI will either repair or replace, at its option, all defective parts free of charge that are covered by this limited warranty on a carry-in basis, to your nearest authorized dealer or distributor of TOYOTOMI.

WHAT YOU MUST DO FOR WARRANTY SERVICE : You must return the defective Product or part to any authorized dealer or distributor of TOYOTOMI with this LIMITED WARRANTY and a copy of your bill of sale or credit card charge receipt or other document evidencing the date of the Product's delivery. If service is not available locally, please contact our CUSTOMER RELATIONS DEPARTMENT at :

SHILAC ENTERPRISES INC.
23848 Hawthorne Blvd. (#100)
Torrance CA 09505
(310)791-2855

TOYOTOMI U.S.A., INC.
604 Federal Road, Brookfield, CT 06804
(203)775-1909

THE FOREGOING EXPRESSES ALL OF TOYOTOMI'S OBLIGATIONS AND LIABILITIES WITH RESPECT TO THE QUALITY OF PRODUCT FURNISHED BY IT. ALL OTHER WARRANTIES, EXPRESSED OR IMPLIED, INCLUDING THE WARRANTIES OF MERCHANTABILITY OR FITNESS FOR A PARTICULAR PURPOSE ARE DISCLAIMED. TOYOTOMI SHALL NOT BE LIABLE FOR THE LOSS OF USE OF THE PRODUCT, INCONVENIENCE, LOSS OR ANY OTHER DAMAGES, DIRECT OR CONSEQUENTIAL ARISING OUT OF, THE USE OF, OR INABILITY TO USE, THE PRODUCT OR DAMAGES RESULTING FROM OR ATTRIBUTABLE TO DEFECTS IN THE PRODUCT.

No other than TOYOTOMI has authority to extend or modify the terms of this Limited Warranty in any manner whatsoever.

Some states do not allow the exclusion or limitation of incidental or consequential damages or limitations on how long an implied warranty lasts, so these limitations or exclusions may not apply to you. This Limited Warranty gives you specific legal rights and you may also have other rights which vary from state to state.

8. TROUBLESHOOTING

SYMPTOM	CAUSE	SOLUTION
Unit does not work.	<ul style="list-style-type: none"> - Power cut. - The plug has not been plugged in properly. - The full-tank indicator is ON. Tank is full. 	<ul style="list-style-type: none"> - Wait for power to be supplied again. - Plug in again. - Remove the drain water from the drain tank.
Unit suddenly stops during in operation.	<ul style="list-style-type: none"> - The indoor temperature has reached the set temperature level. - The preset time is up. - The full-tank indicator is ON. Tank is full. 	<ul style="list-style-type: none"> - Reset the temperature level. - Reset the timer. - Remove the drain water from the drain tank.
Unit runs intermittently.	<ul style="list-style-type: none"> - Malfunction. - Surrounding temperature is too high or too low. - Exhaust duct hose is blocked. 	<ul style="list-style-type: none"> - Contact your dealer. - Check the duct hose.
Unit functions but the room is not cooled.	<ul style="list-style-type: none"> - Window or door is left open in the room. - There is heat source in the room or too many of people in it. - Air intake grille is clogged. - Filter is too dirty. - Temperature setting is too high. 	<ul style="list-style-type: none"> - Close all windows and door. - Move out any heat source in the room. - Clean the air intake grille. - Replace the filter. - Lower the temperature setting.
Condensed water is spilled out when moving the unit.	<ul style="list-style-type: none"> - The tank is nearly full. 	<ul style="list-style-type: none"> - Remove the drain plug on the rear bottom of the unit, drain off the water then the unit will be in operation automatically.

BEFORE CALLING FOR SERVICE

The followings are not defects.

A hissing noise or hollow sound :	⇒ This sound is generated from the refrigerant flowing within pipes.
A squeaking noise :	⇒ This noise is generated from the unit when it is expands or contracts with temperature changes.
Odor :	⇒ Such odor as tobacco, cosmetics, or foods may accumulate in the unit.
The unit does not start nor change operation mode immediately :	⇒ To prevent overloading the compressor motor, the unit will be stopped for more than 3 minutes.

9. SPECIFICATIONS

MODEL	TAD-30F
COOLING CAPACITY	10,000 BTU/H
DEHUMIDIFYING CAPACITY	0.48 gal/h (1.8 L/H)
POWER SOURCE	Single Phase 115V, 60Hz
POWER CONSUMPTION	950 W
OPERATING CURRENT	8.3 A
AIR FLOW (MAX.)	188 CFM (320 m ³ /h)
OPERATING TEMP. RANGE	64°F~95°F (18°C~35°C)
DIMENSIONS (WxHxD)	18-5/8" x 34-1/4" x 13-9/16" (472 x 869 x 345 mm)
WEIGHT	77 Lbs. (35 kg)
COMPRESSOR	ROTARY
REFRIGERANT	R-22

NOTE: Cooling air capacity will vary according to temperature and humidity of the room.

10. VENTING KIT ACCESSORIES

If the unit is to be used exclusively in one space, the cooling efficiency will be enhanced by using the following venting kit accessories.

EXHAUST DUCT SET (FLEXIBLE TUBE) (Fig. I)
Max. 5 ft. (1.5m)

WINDOW PANEL KIT (Fig. J)
For sliding and double-hung windows
Max. 37 in. (94cm)
Min. 28-1/4 in. (72cm)

USING EXHAUST DUCT SET (Fig. I)

1. Insert the end of exhaust duct hose (flexible tube) (I3) into exhaust duct connector (I1) by turning it counter clockwise onto the tube and fix it into exhaust outlet by turning it clockwise until it locks.
2. Insert the end of exhaust duct hose (I3) into exhaust duct hose adapter nozzle (I2). Extend the exhaust duct hose (I3) and close the window or door as far as possible trapping the exhaust duct hose adapter nozzle (I2).

NOTE: Place the unit as close as possible to the window or door.

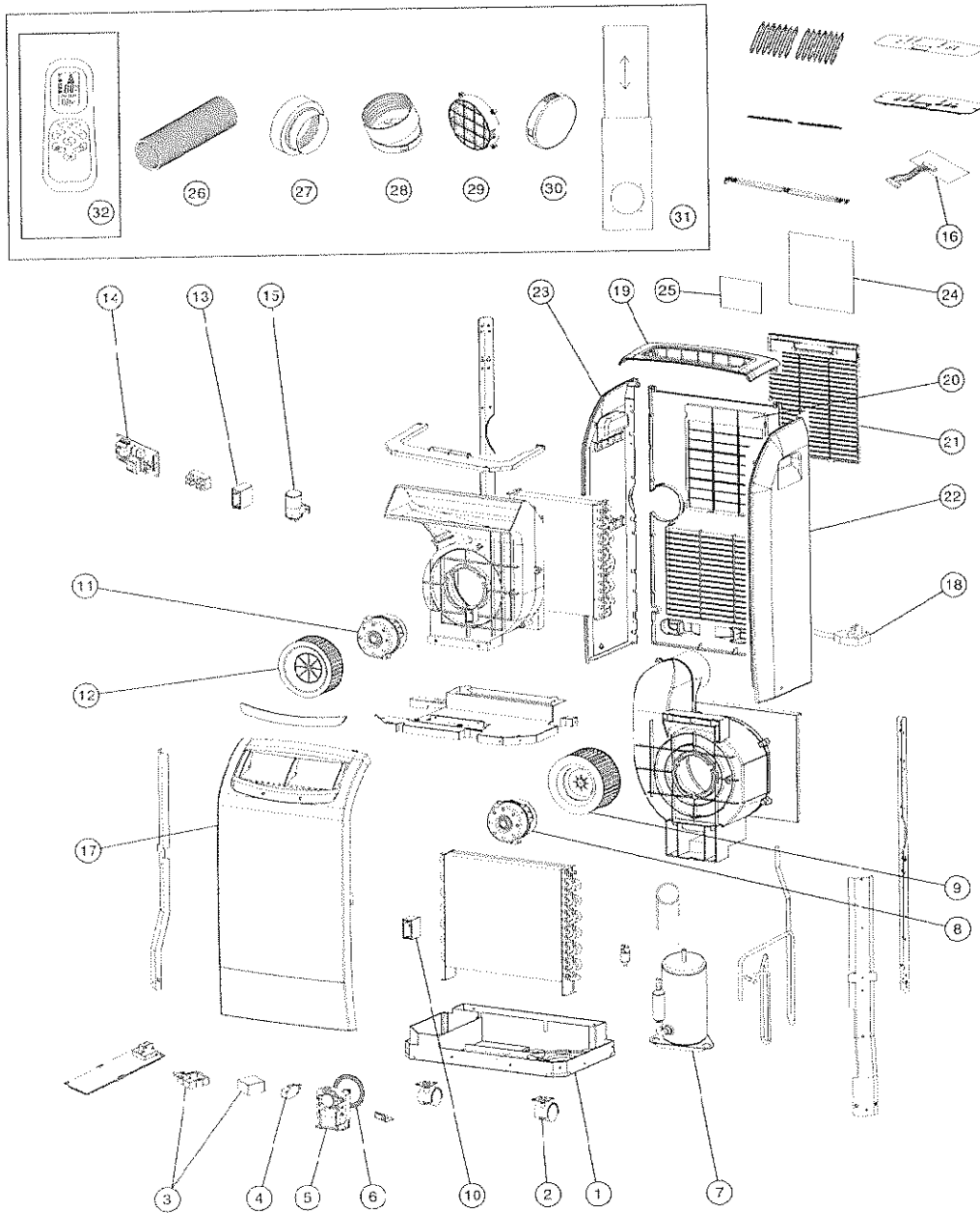
USING WINDOW PANEL KIT (Fig. J)

NOTE: Window installations are possible by the use of the exhaust duct set and window panel kit.

1. Fix the exhaust duct hose grill (J3) to the window panel with four (4) screws. Make sure that the panel is extended so that screws do not go into sliding portion of panel.
2. Open the window.
3. Place the window panel in the window, extending it to fit the width of the window. Once panel is extended, the panel can be locked into this width by tightening the two (2) screws on the top panel.
4. Close the window.
5. Attach the exhaust duct hose adapter nozzle (I2) on the exhaust duct hose grille (J3).
6. When not in use, the exhaust duct hose adapter nozzle (I2) may be closed off with the cover for exhaust duct hose grille (J3) provided.

NOTE: The same procedure can be adapted for vertical installation in sliding windows.

PARTS LIST



NO.	PART #	PART NAME	NO.	PART #	PART NAME	NO.	PART #	PART NAME
1	22740229	Base pan assembly	13	22740247	Capacitor B	25	22740240	Charcoal filter
2	22740270	Caster	14	22740212	Main circuit board	26	22740249	Exhaust duct hose
3	22740230	Float	15	22740248	Capacitor C	27	22740250	Exhaust duct connector
4	22740206	Micro switch	16	22740217	Indication lamp circuit	28	22740254	Exhaust duct hose adapter nozzle
5	22740222	Drain motor	17	22740227	Front panel	29	22740253	Exhaust duct hose grille
6	22740223	Blade	18	22740235	Power supply cord	30	22740252	Cover
7	22740213	Compressor	19	22740201	Top plate	31	22740281	Window panel kit
8	22740220	Rear fan motor	20	22740251	Rear panel	32	22740276	Remote control
9	22740242	Rear fan	21	22740245	Intake air grille	33	22740295	Instruction manual
10	22740246	Capacitor A	22	22740263	Right side panel	34	22740299	Carton
11	22740218	Front fan motor	23	22740264	Left side panel			
12	22740241	Front fan	24	22740203	HAF Filter			

